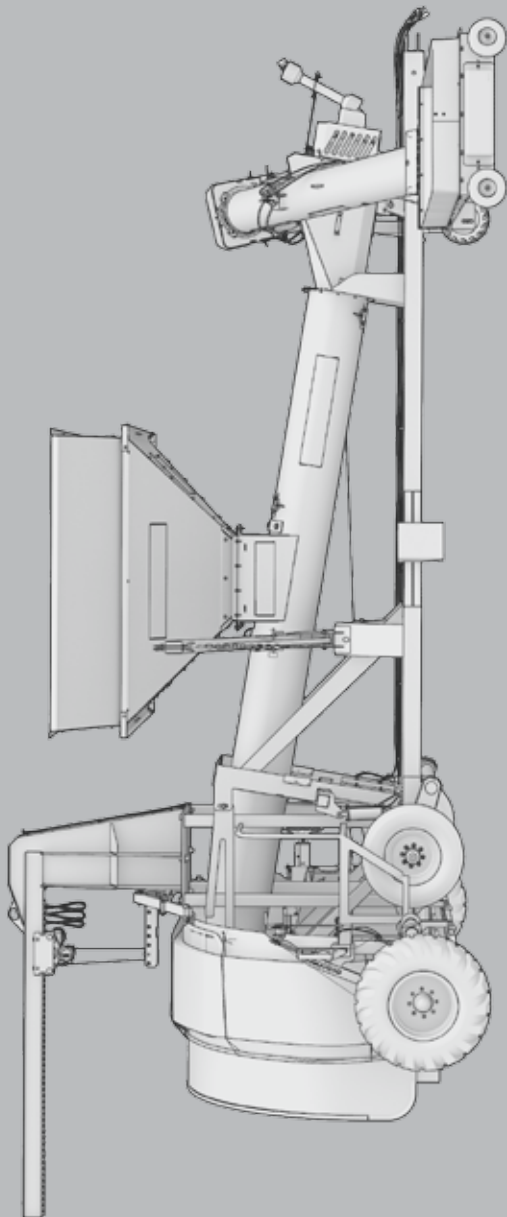




LOFTNESS

GL SYSTEM12™

HD GRAIN BAG UNLOADER
HD GRAIN BAG LOADER
HD TRUCK AUGER



LOFTNESS

GRAINLOGIX™

GRAIN BAG STORAGE SYSTEMS
WWW.GRAINLOGIX.COM

Specifications, Performance and Features Reference Guide

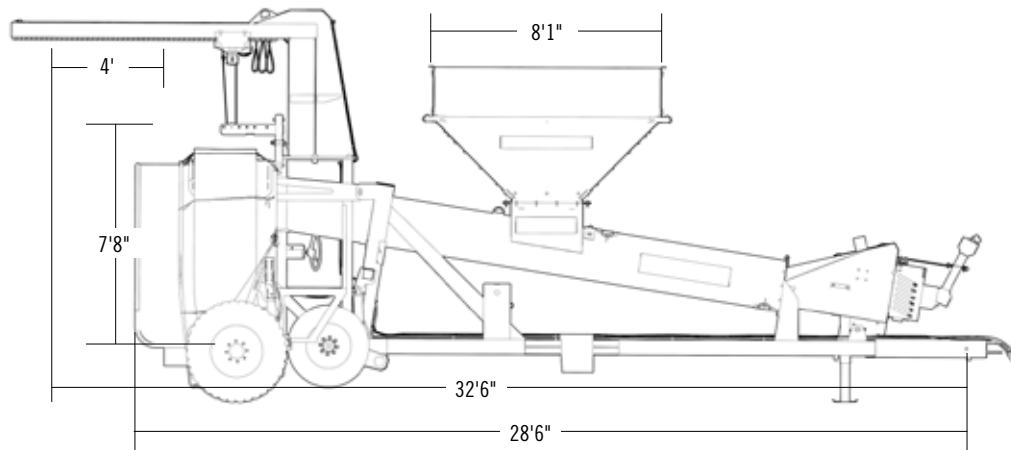
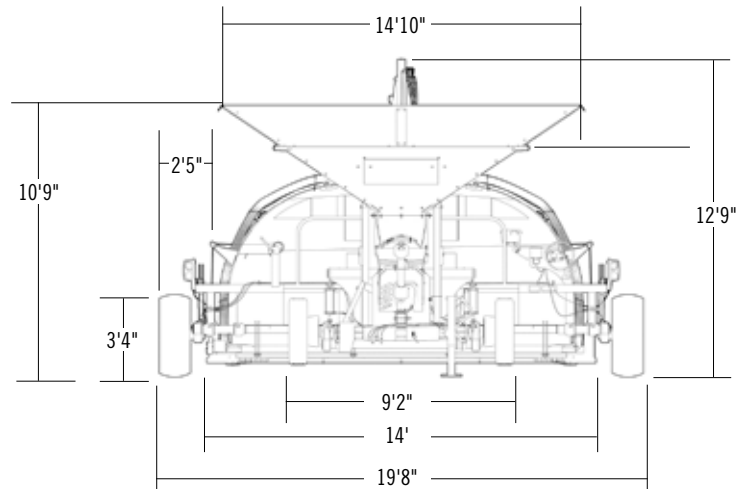


LOFTNESS

GL SYSTEM12™

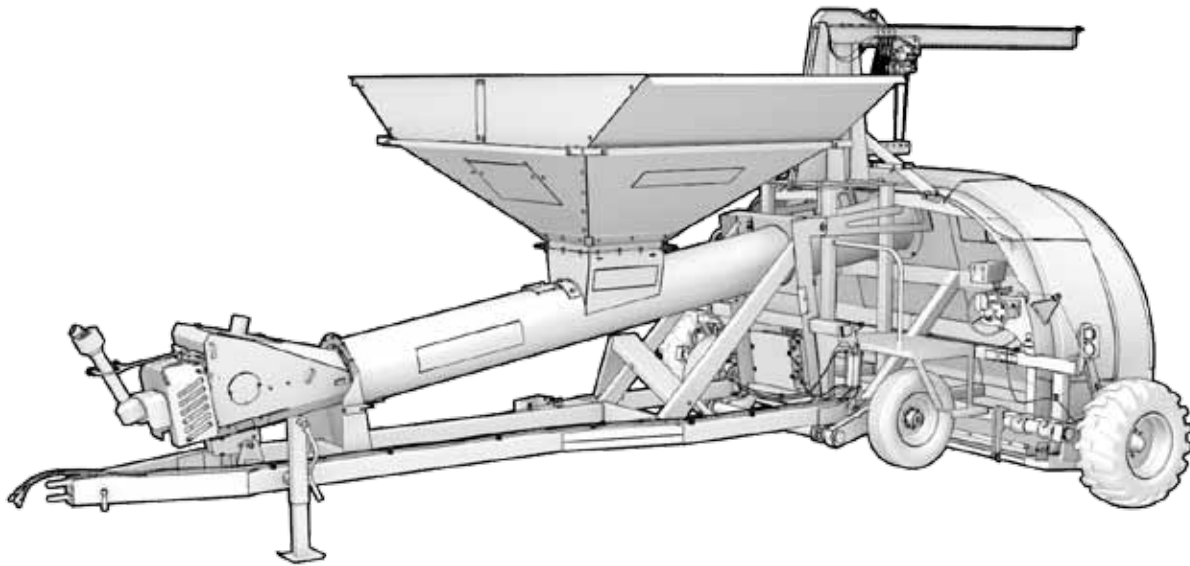
HD GRAIN BAG LOADER

Product Specifications



GRAIN BAG LOADER MODEL NUMBER	GBL12
UNIT WEIGHT	13,020 LBS
TORQUE WEIGHT	1,820 LBS
TRACTOR REQUIREMENT	1000 RPM PTO
With Truck Auger	120 HP
OPTIONS	1-3/8 - 1000 PTO - N29020
	1-3/4 - 1000 PTO - N29021
	SWING AUGER - N29114

Performance & Feature Reference

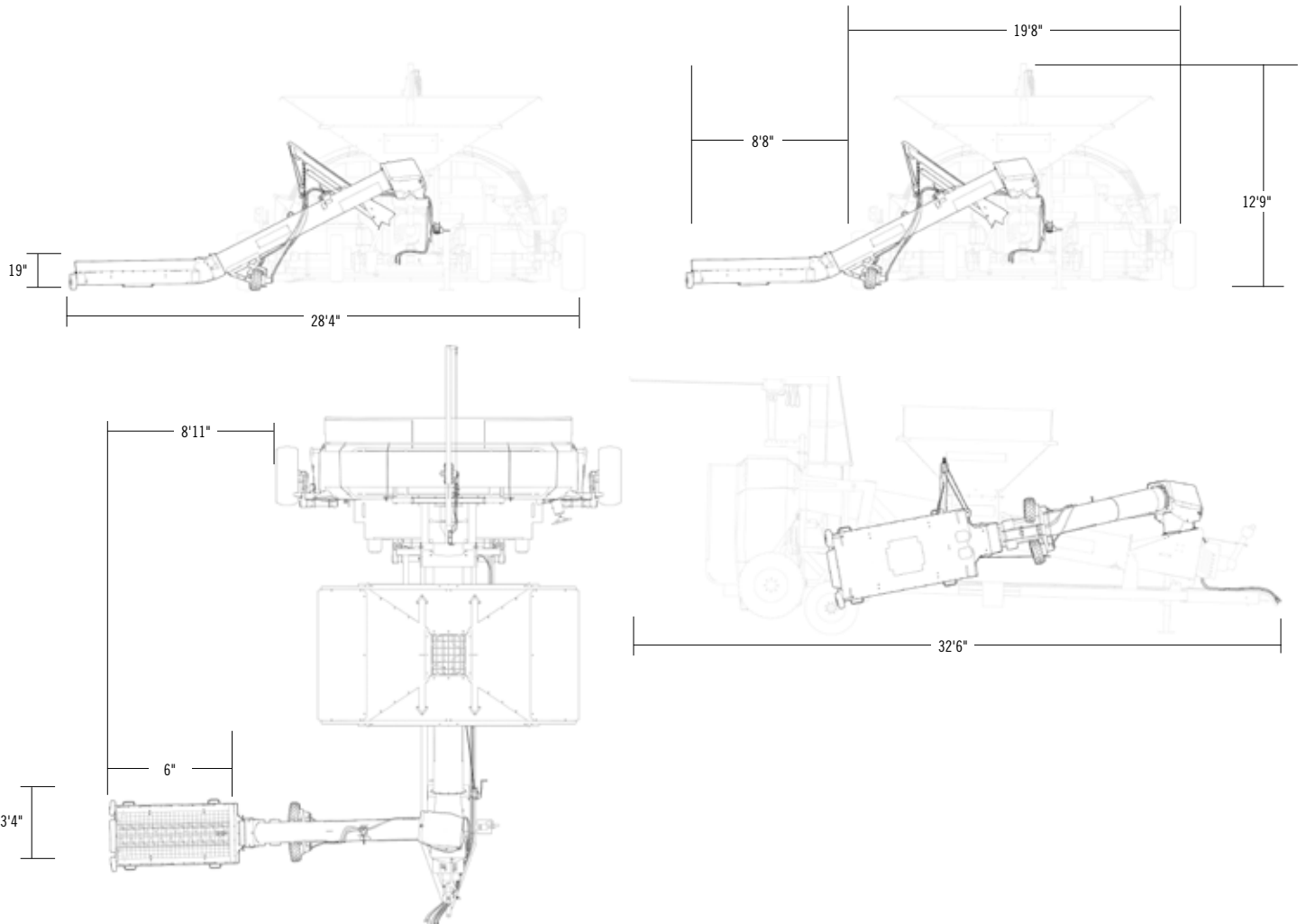


Model Number	GBL 12	Auger Sizes	
Operating Weight	13,020 LBS	Primary Auger	20 in. /540 RPM
Operating Dimensions		Wheels / Tires	
Length	390 in.	Wheel Size	40 in.
Width	236 in.	Tire Size	15L-19.5
Height	153 in.	Tire Type	SureGrip Traction
Hopper Dimensions		Operational Braking System	Hydraulic Disc
GL-12 Loader	97 in. X 178 in.	Transport Tires	235/75 R17.5 Highway
PTO		Transport Braking System	Electrical Trailer Brakes
RPM	1000	Performance	
Horsepower	120	Transfer Capacity	30,000 Bushels /Hr.
Shaft Size / Type	1-3/8 or 1-3/4	Bag Handling Capacity	
PTO Driveline Type	Walterscheid W2400	Diameter	12 Foot Bags
Hydraulics		Max. Length	500 Feet
GPM (required)	6		
PSI (required)	2,000		
Connector Type	Quick Couplers		

LOFTNESS

GL SYSTEM12™ HD TRUCK AUGER

Product Specifications



TRUCK AUGER MODEL NUMBER

N29114 SWING AUGER

UNIT WEIGHT

1,670 LBS, 14,690 LBS COMBINED

TRACTOR REQUIREMENT

1000 RPM PTO

With Bag Loader

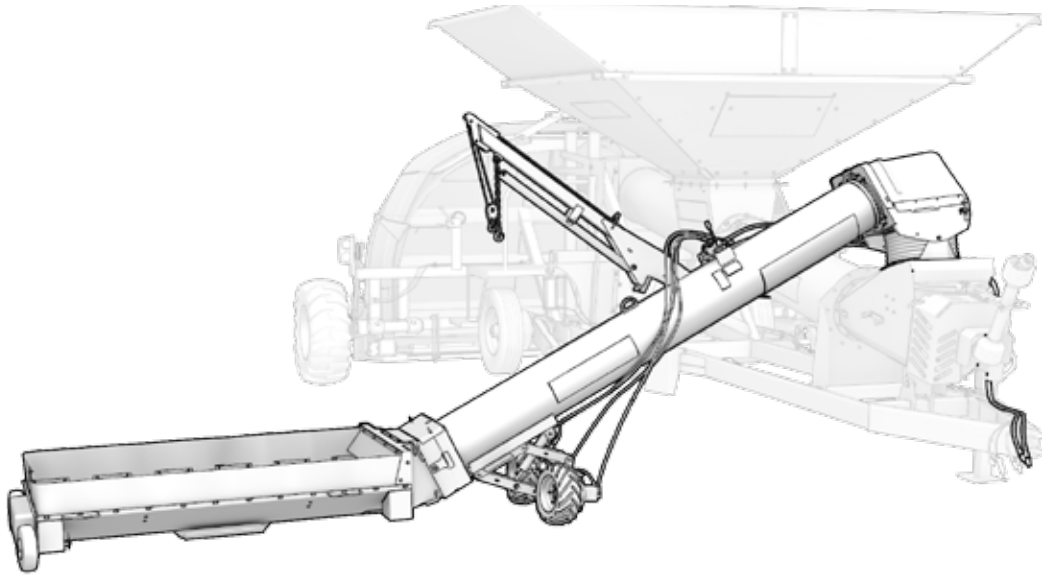
120 HP

TRACTOR HYDRAULIC

6 GPM

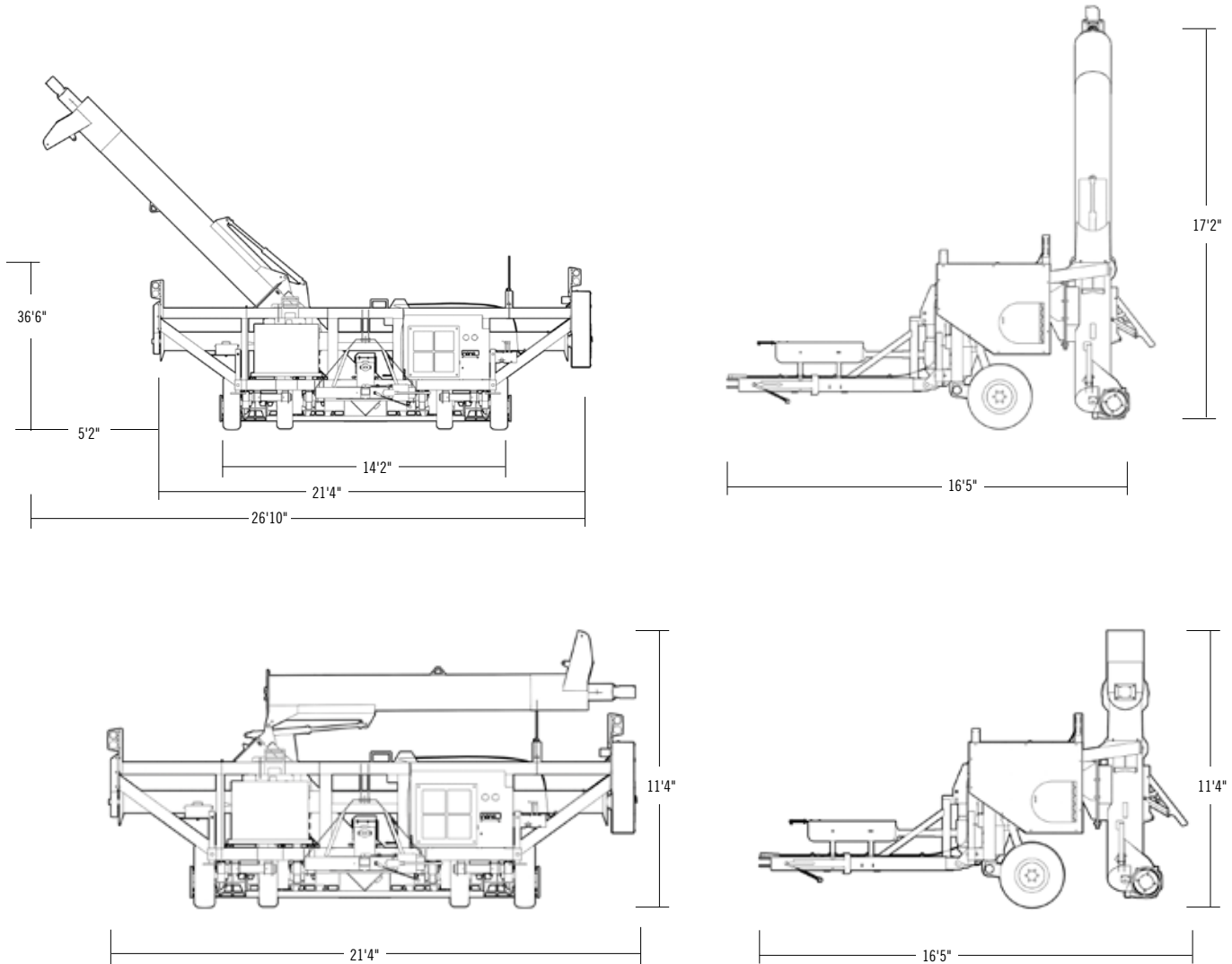
With Bag Loader

Performance & Feature Reference



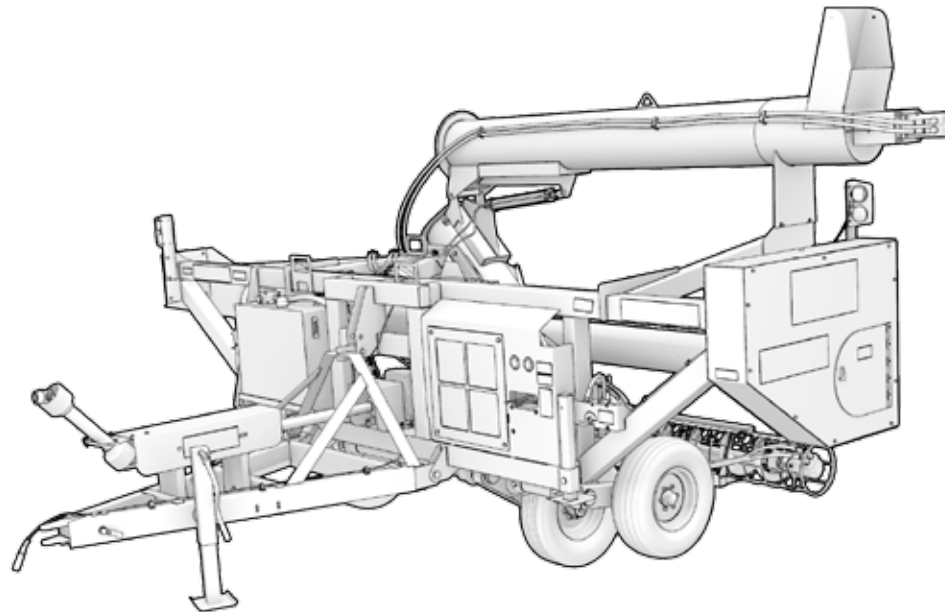
Model Number	N29114	Auger Sizes	
Operating Weight	1,670 pounds	Twin Hopper Auger	7 in. / 750 RPM
Operating Dimensions		Primary Auger	14 in. / 540 RPM
Length	390 in.	Wheels / Tires	
Width	340 in.	Wheel Size	15 in.
Height	153 in.	Tire Type	Foam Filled Traction Tire
Storage/Travel Dimensions		Performance	
Length	390 in.	Transfer Capacity	11,900 Bushels / Hr.
Width	236 in.	Bag Handling Capacity	
Height	153 in.	Diameter	12 Foot Bags
Hopper Dimensions		Max. Length	500 Feet
GL-12 Loader	40 in. x 72 in x 12 in.		
GL-12 Truck Auger	40 in. x 72 in x 19 in.		
Hydraulics			
GPM (required)	6		
PSI (required)	2,000		
Connector Type	Quick Couplers		

Product Specifications



GRAIN BAG UNLOADER MODEL NUMBER	GBU12
UNIT WEIGHT	11,010 LBS
TRACTOR REQUIREMENT	150 HP - 1000 PTO
OPTIONS	10 FOOT BAG CROSS AUGER KIT - N29758 1-3/8 - 1000 RPM PTO - N29801 1-3/4 - 1000 RPM PTO - N29802

Performance & Feature Reference



Model Number	GBU 12
Operating Weight	11,010 lbs
Operating Dimensions	
Length	197 in.
Width	322 in.
Height	206 in.
Storage/Travel Dimensions	
Length	197 in.
Width	256 in.
Height	136 in.
PTO	
RPM	100
Horsepower	150
Shaft Size / Type	1-3/8 or 1-3/4
PTO Driveline Type	Walterscheid W2400

Auger Sizes	
Cross Auger	12 in. Cross Augers/250 RPM 17 in. 480 RPM
Wheels / Tires	
Wheel Size	31 in.
Tire Size	245/70R17.5
Tire Type	Implement
Operational Braking System	
Transport Tires	235/75 R17.5 Highway
Transport Braking System	Electrical Trailer Brakes
Performance	12,000 Bushels / Hr.
Transfer Capacity	
Bag Handling Capacity	12 foot or 10 Foot Bags
Diameter	500 Feet
Max. Length	



LOFTNESS

SPECIALIZED EQUIPMENT. UNLIMITED INNOVATION.

Committed to our customers' success and the power of innovation.

The power of innovation comes from truly understanding a customer's challenges and goals. Whatever the challenge, Loftness is dedicated to ensuring customer success by delivering focused design and engineering excellence with unmatched quality and craftsmanship.

Loftness Equipment— Delivering value by seeing challenges as opportunities.

When searching for equipment that is productive and reliable, built with exceptional quality, and engineered to have long-lasting reliability, Land, Vegetation, and Agricultural Management professionals look to Loftness as the innovation leader in the specialized equipment industry.

Loftness GrainLogix and the GL System 12 line of grain bagging equipment is the newest example of innovation from Loftness Specialized Products.

Because Loftness understands the critical nature of grain bag storage strategies, agriculture professionals will immediately see value in supporting their grain bagging operations with GrainLogix and the Loftness GL System 12 line of products.

LOFTNESS

GRAINLOGIX™

GRAIN BAG STORAGE SYSTEMS

WWW.GRAINLOGIX.COM



LOFTNESS GrainLogix Equipment. Grain Bag Storage success starts here.

At Loftness we believe that your successful grain bagging operation is a direct reflection on our commitment to designing, building and delivering the finest and most innovative grain storage bagging systems available.

Grain Bag Storage Success starts with Loftness and GrainLogix, because we understand that the most important part of any grain bag storage strategy is the reliability of your equipment and the company that stands behind it.



LOFTNESS 
SPECIALIZED EQUIPMENT. UNLIMITED INNOVATION.

WWW.LOFTNESS.COM



LOFTNESS

SPECIALIZED EQUIPMENT. UNLIMITED INNOVATION.

LOFTNESS

GRAINLOGIX™

GRAIN BAG STORAGE SYSTEMS

WWW.GRAINLOGIX.COM

LOFTNESS

GL SYSTEM10™
GRAIN BAG UNLOADER
GRAIN BAG LOADER
TRUCK AUGER



LOFTNESS

GL SYSTEM12™
HD GRAIN BAG UNLOADER
HD GRAIN BAG LOADER
HD TRUCK AUGER



LOFTNESS

GL SYSTEM12™
HD GRAIN BAG LOADER
HD TRUCK AUGER
HD GRAIN BAG UNLOADER

Call us or ask your local Loftness Dealer about the new Loftness GrainLogix System 12 High Performance 12 foot Grain Bag Equipment.



Loftness Specialized Equipment
P.O. Box 337
Hector, Minnesota 55342 USA

Toll Free US & Canada: 800-828-7624
International 320-848-6266
email: info@loftness.com
www.loftness.com
www.grainlogix.com

Walterscheid and SureGrip are trademarks of their respective companies.
GrainLogix, GL System12, GL System12 are trademarks of Loftness Corporation.